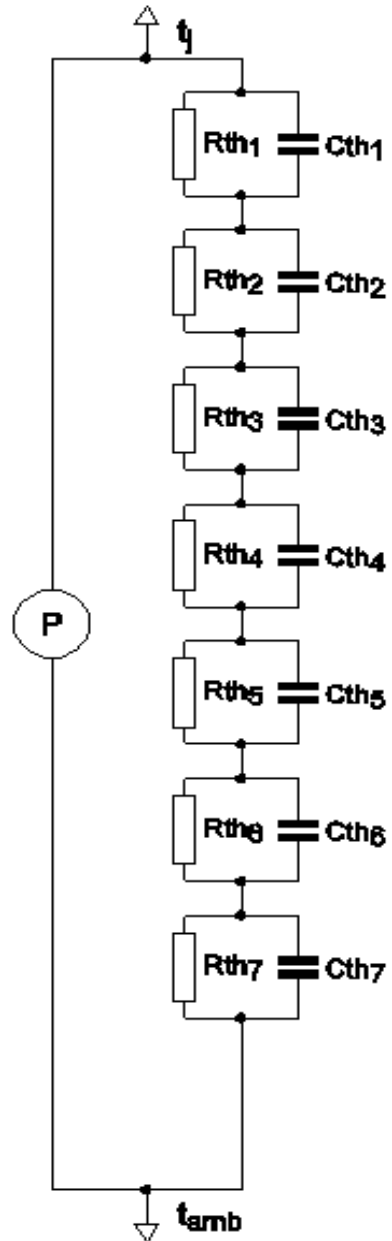


SPICE thermal model

BUK7Y3R5-40H

Symbol	Parameter	Conditions	Min	Typ	Max	Unit
$R_{th(j-mb)}$	thermal resistance from junction to mounting base		-	-	1.30	K/W

C_{th1}	3.578E-05 F
C_{th2}	2.142E-04 F
C_{th3}	2.569E-04 F
C_{th4}	2.363E-03 F
C_{th5}	2.640E-03 F
C_{th6}	9.587E-03 F
C_{th7}	1.160E-01 F
R_{th1}	2.217E-03 Ω
R_{th2}	4.492E-03 Ω
R_{th3}	3.383E-02 Ω
R_{th4}	4.128E-02 Ω
R_{th5}	2.468E-01 Ω
R_{th6}	8.637E-01 Ω
R_{th7}	1.010E-01 Ω



Part: BUK7Y3R5-40H

Date: 10/8/2017

Model Rth 1.29 K/W